

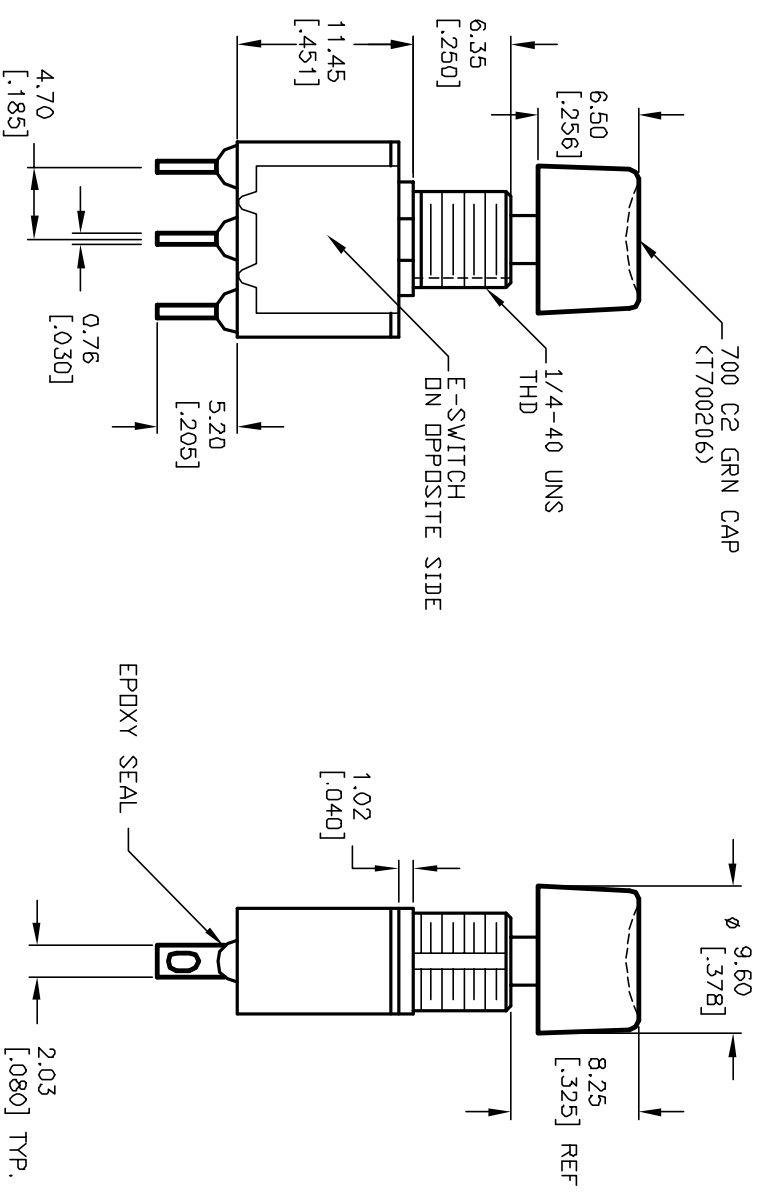
CIRCUIT: SPDT

SWITCH FUNCTION	
DN	<DN>
1-3	1-2

< > = MOMENTARY

NOTES:

1. ALL DIMENSIONS IN MM [INCH]
2. GENERAL TOLERANCE: X.X=±0.4 X.XX=±0.25
3. TERM. NOS. FOR REF. ONLY
4. RATING: 0.4VA @20VAC or DC max.
5. FIXED TERM. & MOVING CONTACT: Copper Alloy W/Gold Plate
6. CONTACT RESISTANCE: 10mILLI-ohms initial @2-4VDC
7. ELECTRICAL LIFE: 50,000 make-and-break cycles at full load.
8. INSULATION RESISTANCE: 1,000M ohm min.
9. DIELECTRIC STRENGTH: 1000V RMS @sea level
10. OPERATING TEMP.: -30°C to 85°C



REV.	ECN No.	DESCRIPTION	DATE	CHKD
A	11611	RELEASED FOR PRODUCTION	8/10/01	CJB

TITLE	SCALE	DATE	DR	DWG	REV
700 SP-7 B10 M1 R E /C2 GRN CAP	2:1	8/10/01	CJB	XT0091A	A

E-SWITCH®

THE INFORMATION CONTAINED IN THIS DOCUMENT IS PROPRIETARY TO E-SWITCH AND IS NOT TO BE COPIED OR TRANSFERRED